

# GPI Series 2000

Three Phase Global Power Interface®



S o l u t i o n s  
f o r p o w e r  
q u a l i t y





# Table of Contents

Caution Notice.....	5
Section 1-General .....	6
<b>Section 2 – Safety</b>	
2.1 ANSI Warning Notices .....	7
2.2 Inherent Hazards .....	7
2.3 Alerts and Labels.....	7
2.4 Safety Interlocks.....	9
2.5 Lockout/Tagout.....	9
2.6 Conformance with Regulations .....	10
2.7 Product Liability .....	10
2.8 Emergency Contact Information .....	10
<b>Section 3 – Product Overview</b>	
3.1 Product Purpose.....	11
3.2 Standard Features.....	12
3.3 Optional Features.....	12
3.4 Feature/Model Matrix .....	13
<b>Section 4 – Preparation</b>	
4.1 Unpackaging .....	14
<b>Section 5 – Installation</b>	
5.1 Location.....	17
5.2 Conduit Landings .....	17
5.2.1 Top Feed.....	17
5.2.2 Bottom Feed .....	17
5.3 Outer Panel Removal.....	18
5.4 Alternate Conduit Landing Locations.....	18
5.5 Main Input Circuit Breaker.....	18
5.5.1 Fixed Input Circuit Breaker .....	18
5.5.2 Programmable Circuit Breaker .....	19
5.6 Isolation Transformer .....	19
5.6.1 Transformer Primary Voltage Adjustment .....	20
5.6.2 Output Voltage Fine Adjustment.....	21
5.7 Grounding.....	21
5.8 Lockout/Tagout.....	22
5.9 Input Power Connections .....	23
5.10 Output Power Connections .....	23
5.11 Optional Line Cord/Receptacles .....	23
<b>Section 6 - Operation</b>	
6.1 Restoring for Service.....	24
6.2 Energizing the GPI Series 2000.....	24
6.3 Energizing the Load .....	25
6.4 Emergency Machine Off (EMO).....	25
6.5 Orderly Shutdown.....	25
<b>Section 7 - Options</b>	
7.1 Passive Harmonic Filter .....	26
7.2 Basic Power Metering .....	26
7.3 Power Management .....	26
7.4 Phase Loss - Low Voltage Detect.....	27
7.5 External EMO Connector .....	27
7.6 Seismic Anchorage .....	27
7.7 SEMI S2-0200 .....	28
7.7.1 Input Power Conductor Restraints.....	28
7.7.2 SEMI S2-0200 Compliant EMO .....	28

# Table of Contents

<b>Section 8 - Troubleshooting/Maintenance</b>	
8.1 Troubleshooting Conditions .....	30
8.1.1 Source Circuit Breaker Trips Out .....	30
8.1.2 Input Circuit Breaker Trips Out .....	30
8.1.3 TVSS Fault LEDs Illuminate .....	31
8.1.4 Harmonic Filter Circuit Breaker Trips Out .....	32
8.2 Routine Maintenance .....	32
<b>Section 9 - Service and Support</b>	
9.1 Technical Service Assistance .....	33
9.2 Customer Service .....	33
9.3 Product Warranty .....	33
<b>Section 10 - Specifications</b>	
10.1 System Schematic .....	34
10.2 Standard EMO Circuit .....	35
10.3 Semi S2-0200 Compliant EMO Circuit .....	36
10.4 Output Voltage Fine Adjustment .....	37
Document Revision History .....	38
Detailed Specifications .....	39



**PLEASE!**

**For maximum safety, reliability, and user satisfaction, please read all of the following important information carefully. When finished, If you are in doubt about any phase of the installation, operation, maintenance or use of this product contact the manufacturer immediately for additional assistance.**

## **Section 1 - General**

This manual describes the installation, connection, adjustment and operation of electrically powered equipment. For your convenience, this document has been divided into the following nine sections.

**Section 1 - General:** The section which you are currently reading describes the manual's structure and the location of pertinent information required to install, operate, troubleshoot, repair, and maintain the product.

**Section 2 - Safety:** This section provides information on the safe installation and use of the product.

**Section 3 - Product Overview:** This section describes the product's function and purpose, gives examples of some applications where it may be used, and describes the both standard and optional product features. It also gives details on unpacking and inspecting the product on arrival and preparing it for installation.

**Section 4 - Preparation:** This section provides information on unpacking and moving the conditioner.

**Section 5 - Installation:** This section provides details on locating and leveling the product, landing conduits, grounding, connecting input and output wiring, configuring operating voltages, and preparing the unit prior to energizing and putting into service.

**Section 6 - Operation:** This section of the manual provides the information required to operate the product and its controls.

**Section 7 - Optional Equipment:** This section gives detailed information on features which are available as options. Your particular product may be equipped with one or more options. If so, this section will provide the information necessary to use the options.

**Section 8 - Troubleshooting and Maintenance:** This section provides all the information necessary to maintain the product, troubleshoot a failure or malfunction, and to repair the product when possible.

**Section 9 - Service and Support:** This section provides the information necessary to obtain service and support on the product.

**Section 10 - Technical Specifications:** This section provides complete technical specifications. Consult the information in this section for detailed information on conduit landings and electrical parameters for the specific model you are installing.

**As you use this manual for the installation, operation, and maintenance of the product, you may be required to consult different sections of this manual in the process of completing specific tasks.**



### - IMPORTANT SAFETY INSTRUCTIONS - - SAVE THESE INSTRUCTIONS -

#### 2.1 ANSI Warning Notices

Failure to observe reasonable precautions in the use of this product may result in fire, injury, electrocution and/or death. Please observe all notices and warnings. This equipment must be installed in accordance with all applicable national, state, county, and/or municipal codes. If you are in doubt about any phase of installation or operation, contact the manufacturer immediately for assistance. While this entire document is important, certain portions may require your special attention. These passages are clearly marked with the notices shown below. Please observe all safety notices carefully. Each has a specific meaning.



CAUTION indicates a potentially hazardous situation which, if not avoided, could result in minor or moderate injury. It may also be used to alert against unsafe practices.



WARNING indicates a potentially hazardous situation which, if not avoided, could result in death or serious injury.



DANGER indicates an imminently hazardous situation which, if not avoided, will result in death or serious injury.

#### 2.2 Inherent Hazards

This product uses electricity and high voltages are present inside the cabinet. This product is equipped with a lockout/tagout feature on the input circuit breaker to prevent accidentally energizing the product during installation, maintenance, and/or repair. This product is also equipped with safety interlock circuits, which will de-energize the product when a cover is removed. In all such cases, hazardous touch voltages will still be present **at the rear of the product's input circuit breaker where** input power feeds are attached. Working on the product under such circumstances is classified under SEMI S2-0200 as a Type 4 Task. This may be changed to a Type 1 task and complete safety may be assured by disconnecting power to the product (and locking and tagging out) at the source.

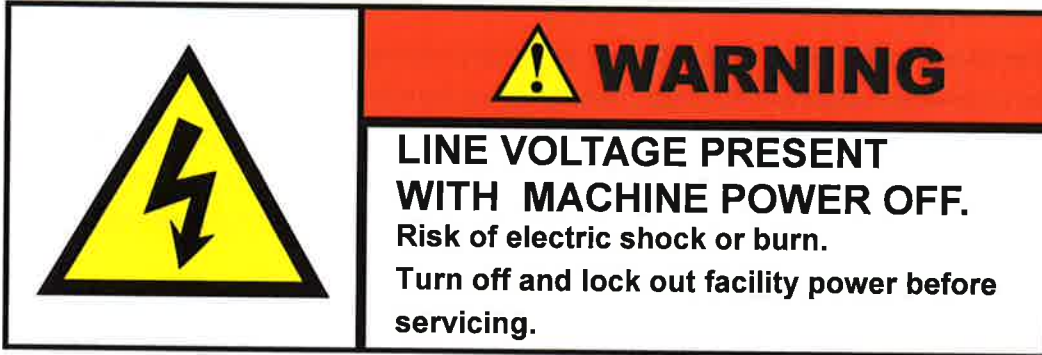
Failure to follow proper safety precautions as well as intentionally defeating the safety interlocks built into the **product's design will negate the safety features designed** into this product and may subject the user to death or serious injury.

#### 2.3 Alerts and Labels

**This product's enclosure is provided with warning labels** in appropriate locations to call your attention to important user information. The labels and their locations include the following:

## Section 2 - Safety

On both removable side panels, near the top of the panel and approximately in the middle are the following warnings. Each calls attention to a specific hazard requiring special attention.



With the front panel circuit breaker of the power conditioner turned off and locked out, potentially hazardous touch voltages are confined to the input power conductors at the rear of the circuit breaker. Entering the cabinet under these circumstances is classified as a Type 4 task under SEMI S2-0200 guidelines. This hazard label alerts personnel to the need to turn off and lock out power to the power conditioner at the facility source. Doing so will eliminate all potentially hazardous voltages inside the enclosure. Entering the enclosure under these circumstances is a Type 1 task under SEMI S2-0200.



**PLEASE NOTE:** After extended operation, internal parts of the power conditioner may become very hot. This hazard label calls attention to the need for protective gear when entering the equipment enclosure.



*Inside the power conditioner enclosure another warning similar to the one shown at the left warns once again of the presence of very hot surfaces and the potential for injury and burns. This warning is accompanied by the legend "CAUTION - HOT SURFACE" and is attached to the upper steel frame of the isolation transformer on the primary side.*



## Section 2 - Safety

### 2.4 Safety Interlocks

This product incorporates a safety interlock circuit that functions as a secondary means of protection for personnel. Protective side panels and hazard warning labels provide primary protection. However, in the event one or more side panels are removed from the product prior to being de-energized, the safety interlock system will de-energize the power conditioner. The circuit consists of two safety interlock switches (one per each side access panel) located in the center of the top side frame of the power conditioner. The switches operate as a normally open circuit connected to the shunt trip coil of the input circuit breaker. See Figure A. Activating either of these safety interlock switches causes a 24 VDC signal to energize the shunt trip coil of the breaker. The 24 VDC signal is derived from a low voltage, fused tap on the transformer secondary. The shunt trip circuit also uses stored energy from a capacitive circuit to ensure that the shunt trip mechanism will function even in the event of a power outage. The safety interlock switches are shown on the general circuit diagram found in subsection 10.1 of Section 10 of this manual.



**Figure A**

**WARNING** *If the power conditioner shunt trips as a result of removing the side panels, hazardous voltages will remain at the input voltage connection to the rear of the main circuit breaker. Entering the enclosure under these conditions is classified as a Type 4 task under SEMI S2-0200 guidelines. This can be changed to a Type 1 task by disconnecting power at the source before entering the enclosure.*

### 2.5 Lockout/Tagout

The rotary handle of the main breaker is equipped with a hinged center insert clearly identified with an arrow. The rotary handle of the main breaker must be in the horizontal position to proceed. See Figure B. Depress the insert on the arrow on the left hand side causing the insert to extend on the right revealing a slot to accommodate a locking device as shown in Figure C. The lockout/tagout feature is designed to prevent personnel from accidentally energizing the power conditioner while maintenance, service or repair



**Figure B**



**Figure C**

is being performed. With the lockout/tagout engaged, hazardous voltages are still present at the rear of the input circuit breaker where input power feeds connect to the power conditioner. Entering the enclosure under these circumstances is classified as a Type 4 Task under SEMI S2-0200. Entering the enclosure may be classified as a Type 1 Task if power is disconnected from the power conditioner at the source.

## **Section 2 - Safety**

### **2.6 Conformance with Applicable Laws and Regulations**

This equipment must be installed and used in accordance with all applicable local, county, state, provincial, and federal regulations. In the United States, these regulations include, but may not be limited to, those of the NFPA, NEC, and other regulating bodies. Outside of the United States, other specific laws and regulations may apply. Compliance with applicable regulations is the responsibility of the installer, user, or owner of the power conditioner.

### **2.7 Product Liability**

Product liability refers to the liability of any or all parties along the chain of manufacture of any product for damage caused by the product. Product defects may include inherent design defects, manufacturing defects, and defects in marketing. The manufacturer of this product has taken every possible precaution to ensure that design defects do not exist and that manufacturing defects will not occur. Marketing defects generally result from a lack of proper instructions or failures to warn of latent dangers associated with the product. The manufacturer has taken great care in preparing this manual to ensure that the documentation is proper, correct, and complete. However, the manufacturer cannot control how the product documentation is used or how well it is read and understood. It remains the sole responsibility of the installer, user, and owner of this product to thoroughly review and understand the documentation that accompanies the product. Those installing, using, servicing, and maintaining the product should observe all warning notices in both the documentation and on the product and contact the manufacturer if any part of the installation, use, or service procedures of this product are unclear.

Statutory product liability provisions can be, geographically speaking, very diverse. In the United States, the Department of Commerce has created a Model Uniform Products Liability Act (MUPLA) for voluntary use by the states. However, there remains no federal product liability law. For further information consult the products liability statutes that may apply for the state or country where you reside. **Also consult the manufacturer's warranty statement in Section 9.3 of this manual concerning implied and expressed warranties of merchantability and fitness for purpose.**

### **2.8 Emergency Contact Information**

In an occurrence requiring emergency assistance from the manufacturer, please call (800) 369-7179 (in Illinois, call 847- 596-7000). Normal business hours are 8 am to 5 pm, Central Time. In EMEA, emergency calls should be directed to +44 (0) 1793 553980. Normal business hours for our European operations are 8:00 to 17:00 GMT. **Outside of normal business hours, the manufacturer's phone systems provide an emergency after hours phone number.**

## Section 3 - Product Overview

Welcome to the world of *global power*. Electrical power users from around the world benefit from the use of clean, quality power. That's why we developed GPI Series 2000 power conditioning products. The GPI Series 2000 is a low-impedance power conditioner that provides high peak-load capability. You'll find that we've engineered these products to provide features not readily available as standard equipment on other three-phase power line conditioning products. The GPI Series 2000 products provide the functionality and flexibility that your business needs in a power quality solution-both now and in the future.

### 3.1 Product Purpose

The GPI Series 2000 is designed to eliminate high-frequency noise and high-voltage impulses (also known as spikes or surges) from the AC power that runs your electronic equipment. The power conditioner installs between the power source and the critical load. And because it is a three-phase device, the GPI Series 2000 provides protection for all transformer phases that power a large system. Sophisticated electronic systems contribute to the profitability of your business, and clean power is an essential element in their reliable operation. Each electronic system responds to power-quality problems differently, but properly protected systems benefit in a variety of ways. These benefits include fewer hardware failures, fewer "no problem found" service calls, less system downtime, higher manufacturing yield, better image quality and longer equipment life.

The GPI Series 2000 incorporates these three important power quality elements:

**1. A low-impedance isolation transformer** - The transformer is the "heart" of the power conditioning system. It provides unequalled protection against common mode (neutral to ground) disturbances and voltages. In addition, it provides all the criteria necessary to meet National Electrical Code 250-5d requirements for a "separately derived power source." The isolation transformer can be specified to accommodate the variety of electrical supply voltages and frequencies that are encountered throughout the world.

**2. A low pass filter** - The filter is responsible for removing normal mode (phase to neutral and phase to phase) noise components from the electrical power. These power disturbances are the ones that are caused by your system's "electrical neighbors" (i.e. elevators, copy machines, motors, HVAC equipment and even other computer systems).

**3. A surge diverter** - The surge diverter is part of the input (primary) circuit of the isolation transformer. This ensures that any voltage impulses generated within the facility (our outside of it due to occurrences like lightning and utility activities) do not interfere with the connected system. Although the surge diverter is designed to handle substantial energies, catastrophic events may occur, **which damage one or more of the circuit's protective elements**. If such damage occurs, one or more of the TVSS Fault LEDs on **the power conditioner's front panel** will illuminate. Consult Section 8.1.3 for instructions on how to proceed if a TVSS Fault LED illuminates.

## **Section 3 - Product Overview**

### **3.2 Standard Features**

These include a "power on " LED, TVSS Fault LEDs (one per phase) EMO (emergency machine off) front panel pushbutton, a lockout/tagout provision for the front panel input circuit breaker, safety interlocks, casters, and leveling feet. In addition, the GPI Series 2000 offers a range of options as described below.

### **3.3 Optional Features**

**Input line cord** - This option is available on models 45 kVA and smaller.

**Output receptacles** - This option is available on all models. A range of different receptacle styles (each with over-current protection) may be added to the GPI Series 2000.

**Distribution panels** - This option is available only on models 85 kVA and larger. It provides a standard 42 circuit Square D panelboard from which the conditioner's power may be distributed to individual branch circuits each with their own dedicated circuit breaker.

**External EMO connector** - This optional connector (if so equipped) is part of the power conditioner's EMO (emergency machine off) circuit. It provides a point for connecting the power conditioner's EMO circuit to an external control or the master EMO circuit of a computer room or similar facility. See Section 7.3

**Seismic anchorage brackets** - This options permits stabilization of the power conditioner in seismically active (earthquake prone) areas. Seismic design data is included in the specification sheet found in Section 10.

**A 5th harmonic filter** - The GPI Series 2000 may be ordered with an optional passive 5th harmonic filter. When so equipped, the GPI Series 2000 will significantly reduce the fifth odd order harmonic current regardless of origin (line or load). Passive harmonic filters tuned to other order harmonics are available special order. Consult the manufacturer for more information. If the GPI Series 2000 you are installing is equipped with an optional harmonic filter, consult Section 7.1 of this manual for **complete information regarding it's location and operation.**

**Zig-Zag transformer** - This option is only available on models 85 kVA and larger. Special transformers with zigzag secondary windings for the elimination of harmonic currents are available as a special order from the manufacturer.

**Basic metering/Power management package** - All GPI Series 2000 models may be equipped with basic metering functions using Power Measurements Limited 6200 ION monitor. A full power management package is available on models 85 kVA and larger. This package uses a Power Measurements ION 7500 monitor and provides multiple functions including low voltage/phase loss/phase reversal detection and protection.

? Text missing

## Section 3 - Product Overview

complete monitoring of three phase voltages, currents, phase angles, power factor, demand, energy usage, event logs and more. If the GPI Series 2000 is equipped with the power management option, documentation prepared by Power Measurements Limited will accompany this manual. The table below illustrates a matrix of standard equipment and options for each model of GPI Series 2000.

### 3.4 Feature Matrix

S= Standard  
O= Option  
NA = Not Available

20 40



	Power On LED	TVSS Fault LEDs	EMO Pushbutton	Safety Interlocks	Lockout/Tagout	Casters	Leveling Feet	Input Line Cord	Output Receptacles	Distribution Panel	Ext. EMO Contacts	Seismic Anchorage	Harmonic Filter	Zig Zag Transformer	Basic Power Meter	Power Management
ABC10.0-XDXY	S	S	S	S	S	S	S	O	O	NA	O	O	NA	NA	O	NA
ABC15.0-XDXY	S	S	S	S	S	S	S	O	O	NA	O	O	NA	NA	O	NA
ABC20.0-XDXY	S	S	S	S	S	S	S	O	O	NA	O	O	NA	NA	O	NA
ABC25.0-XDXY	S	S	S	S	S	S	S	O	O	NA	O	O	NA	NA	O	NA
ABC30.0-XDXY	S	S	S	S	S	S	S	O	O	NA	O	O	NA	NA	O	NA
ABC35.0-XDXY	S	S	S	S	S	S	S	O	O	NA	O	O	NA	NA	O	NA
ABC45.0-XDXY	S	S	S	S	S	S	S	O	O	NA	O	O	NA	NA	O	NA
ABC55.0-XDXY	S	S	S	S	S	S	S	NA	O	NA	O	O	NA	NA	O	NA
ABC65.0-XDXY	S	S	S	S	S	S	S	NA	O	NA	O	O	NA	NA	O	NA
ABC75.0-XDXY	S	S	S	S	S	S	S	NA	O	NA	O	O	NA	NA	O	NA
ABC85.0-XDXY	S	S	S	S	S	S	S	NA	O	O	O	O	O	O	O	O
ABC100.0-XDXY	S	S	S	S	S	S	S	NA	O	O	O	O	O	O	O	O
ABC125.0-XDXY	S	S	S	S	S	S	S	NA	O	O	O	O	O	O	O	O
ABC150.0-XDXY	S	S	S	S	S	S	S	NA	O	O	O	O	O	O	O	O
ABC175.0-XDXY	S	S	S	S	S	S	S	NA	O	O	O	O	O	O	O	O
ABC200.0-XDXY	S	S	S	S	S	S	S	NA	O	O	O	O	O	O	O	O
ABC230.0-XDXY	S	S	S	S	S	S	S	NA	O	O	O	O	O	O	O	O
ABC250.0-XDXY	S	S	S	S	S	S	S	NA	O	O	O	O	O	O	O	O
ABC300.0-XDXY	S	S	S	S	S	S	S	NA	O	O	O	O	O	O	O	O

## **Section 4 - Preparation**

***IMPORTANT! Each unit is fully inspected and tested prior to leaving the factory. GPI Series 2000 products are packed carefully in approved shipping crates. However, since we cannot control handling during shipping, damage in transit is possible. Please retain all packing materials until the power conditioner is installed and operating satisfactorily. If damage to the shipping container is evident, you may file a claim with the shipper. Concealed damage can also be claimed with the shipper within fifteen (15) days. Immediately contact the shipping company to arrange for any visual inspection or report. Contact the manufacturer if you require assistance. Do not install or apply power to units if there is external damage or if internal components or connections are loose or "rattle." Always check all electrical connections during installation to verify a tight connection.***

### **4.1 Unpackaging**

The GPI Series 2000 is packaged in a sturdy shipping container. For models 20 kVA and smaller, the container consists of a shipping pallet/skid with an outer cardboard housing. For models 25 kVA and larger, the shipping container consists of a bottom pallet/skid, a packing block, four wooden sides, and a top.

For 20 kVA and smaller conditioners, perform the following five steps to remove the power conditioner from the packaging crate.

**Step 1** - Remove the outer cardboard carton from the shipping pallet.

**Step 2** - The power conditioner is attached to the shipping pallet with metal bands. Using a metal snips or band cutter, cut the metal bands and remove them from the packing crate.



***The metal bands are under tension. When cut, they may spring out of control if not held securely. The bands may be very sharp. Gloves and eye protection are recommended before cutting and removing the metal bands. Failure to follow this precaution may result in injury to eyes or other body parts. Wear protective gear.***

**Step 3** - Remove the protective plastic bag and foam cushion wrap and dispose of appropriately.

**Step 4** - Consult Figure D on Page 16. Remove the 2 x 4 cleat at the front of the pallet by removing the lag screws.

**Step 5** - Remove the front 4 x 4 shipping skid by removing the lag screws. The shipping pallet may now be "rocked" forward on the center skid allowing the power conditioner to roll off the pallet onto the floor.

Refer to the diagram in Figure E on page 16 for unpacking power conditioners 25 kVA and larger. You will need a Phillips screwdriver (preferably power) and a band cutter or metal snips. Follow these seven steps.

**Step 1** - Remove the top of the packing crate by removing the screws that secure the top to the four sides of the crate. Once the screws are removed the top may be lifted off the crate and set to one side.

## **Section 4 - Preparation**

**Step 2** - A packing block assembly rests on top of the power conditioner to secure it tightly inside the packing crate. Remove the packing block assembly by removing the screws that are driven through the crate front and back panels into the ends of the wooden struts. The packing block may now be removed and set to one side.

**Step 3** - The front and back panels of the packing crate should be removed next. The front and back panels are secured to the side panels and to the shipping pallet with screws along the edges and bottom of the panels. Remove the screws from one panel at a time. Remove the panels and set them to one side.

**Step 4** - The side panels are removed next by removing the screws that secure them to the pallet. Remove the screws from the bottom of the side panels and set the panels to one side.

**Step 5** - The power conditioner is attached to the shipping skid with metal bands. Using a metal snips or band cutter, cut the metal bands and remove them from the packing crate.

**Step 6** - The power conditioner is wrapped in foam cushion wrap and then enclosed in a protective plastic bag to prevent moisture from entering the enclosure. Remove the outer plastic bag and foam cushion wrap from the power conditioner and dispose of them appropriately.



***Depending on the rating, the GPI Series 2000 power conditioner may weigh as much as 3000 pounds (1500 kg.). The next steps involve removing the power conditioner from the shipping skid. Carelessness may result in injury.***

**Step 7** - The power conditioner is now free of the shipping container and bottom pallet/skid. A fork truck with sufficient fork length and height and a minimum rating of two tons may be used to raise the power conditioner a few inches off the bottom pallet.

***IMPORTANT ! Never lift the power conditioner with the forklift from the front. Doing so may damage the front bezel. Always lift the power conditioner with the forklift on the side or back.***

Once raised clear of the bottom pallet, pull the pallet away from the power conditioner and set it off to the side with the rest of the shipping container panels. The power conditioner is shipped with the threaded leveling feet extended for stability. Retract the leveling feet by turning them in a sufficient number of turns. This will allow the power conditioner to rest on its casters when lowered to the floor. The power conditioner may now be lowered to the floor and the fork lift removed.

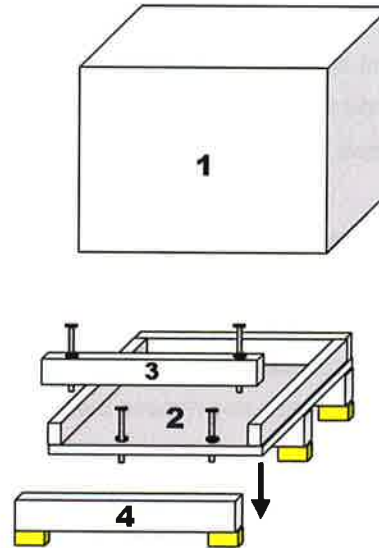
Take a few minutes to inspect the unit for any visible damage. If damage is present, contact the carrier for an inspection before proceeding. If no damage is present, move the power conditioner to its installation location on its casters. Once placed into its final position, make sure the unit is leveled and stabilized using the leveling feet.

## Section 4 - Preparation

**Figure D - Shipping Crate Disassembly - 10 to 20 kVA**

1. Cardboard outer carton
2. Shipping pallet
3. 2 x 4 front cleat
4. Front skid

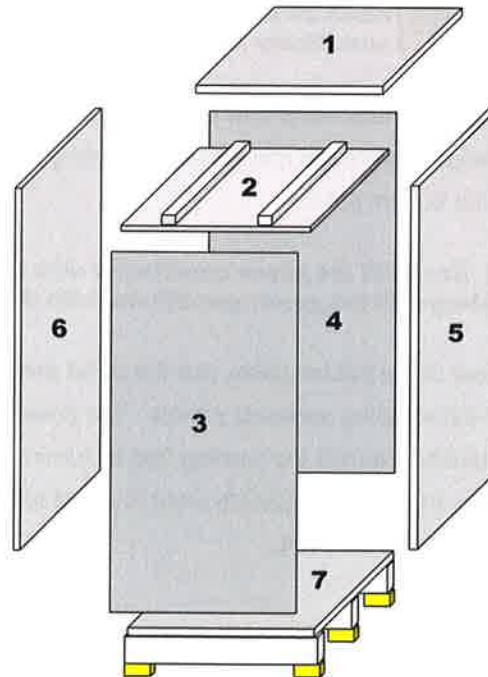
After removing the front cleat and front skid, the pallet may be rocked forward on the middle skid and the power conditioner may be easily rolled off the pallet and onto the floor.



**Figure E—Shipping Crate Disassembly - 25 kVA to 300 kVA**

1. Crate Top
2. Packing Block
3. Front Side
4. Back Side
5. Right Side
6. Left Side
7. Shipping Pallet/Skid

Shipping crate should be disassembled in the numerical order shown. Removing panels 1 through 7 will provide total access to the power conditioner, which is enclosed in foam wrap and plastic and banded to shipping skid #7.




**IMPORTANT!** Retain all parts of the shipping container and packaging material until after the GPI Series 2000 has been installed and proper operation verified. Once installed and operational integrity is verified, the packaging material may be discarded.



## Section 5 - Installation

### 5.1 Location

For best performance, the GPI Series 2000 should be installed within fifty (50) wire feet maximum of the protected load. Refer to the dimensional information shown in the specifications sheet accompanying this document. Allow six inches of free space on all sides of the GPI Series 2000 to provide for proper air circulation. The unit is designed to operate at high efficiency and is convection cooled. If the unit is installed in a facility that has a raised flooring system, ensure that the flooring system can support the weight of the POWERVAR Global Power Interface. Consult the specification sheet found in Section 10 of this manual for dimensions and weights.

 **CAUTION** *The GPI Series 2000 is not weatherproof and must be installed in a dry location. During winter months, the transition from cold temperatures to a warm indoor climate may result in significant condensation. Make sure that the power conditioner has been given enough time to acclimate to its environment and that condensation has evaporated before installing and energizing the GPI Series 2000.*

### 5.2 Conduit Landings


The GPI Series 2000 is designed to accept conduit landings on the top panel, rear panel and on the unit bottom (for raised floor applications). It is not possible to land conduits on the side panels due to interference with the ventilation slots and/or the internal frame components.

#### 5.2.1 Top Feed

Conduit holes may be punched or cut anywhere in the top panel except within 3" of any edge. It is important to avoid landing conduits within 3" of the panel edges to prevent interference with the frame of the power conditioner. Consult the specification sheet in Section 10 of this manual for additional guidance.

#### 5.2.2 Rear Feed

Consult the specification sheet in Section 10 of this manual for allowable rear conduit landing locations.

 **CAUTION** *Prior to drilling or cutting any top or rear panel, the panel must be removed. Drilling or cutting conduit access holes with panels mounted on the conditioner may result in metal shavings or other debris falling into or on the transformer or other system components resulting in damage when power is applied to the system. The manufacturer is not responsible for damage caused by improper or careless installation. Please take proper precautions by removing panels before drilling, cutting, or punching conduit access holes. Failure to follow this precaution will void the product warranty.*

#### 5.2.3 Bottom Feed

Consult the specification sheet in Section 10 of this manual for allowable bottom conduit landing locations.

## **Section 5 - Installation**

### **5.3 Outer Panel Removal**

The side panels, the back panel, the top panel and the front panel have all been designed for easy removal prior to installation. The side panels must be removed first. Turn the quarter turn fasteners counterclockwise and remove the side panels.



***A bonding strap is attached to the bottom of each side panel with a hand fastener and lock-washer. The bonding strap electrically grounds the side panel to the frame during normal operation. This bonding strap must be disconnected for complete removal of the side panel taking care not to misplace the fastener and lock-washer. It is extremely important that the bond strap be reconnected to the side panel when the side panel is replaced. Failure to reconnect the ground strap may result in an electrical shock hazard in the event of an electrical fault.***

The back panel, top panel and front panel are held in place by threaded fasteners, which are accessible once the side panels have been removed. Removing these fasteners will allow the top, back, and front to be removed.

### **5.4 Alternate Conduit Landing Locations**

In the event, it is not possible to land conduits on the power conditioner top, rear, or bottom panels, consult with the manufacturer. Although less desirable, alternate conduit landings can be accommodated. The manufacturer can provide information, detailed drawings, and instructions for landing conduits at alternate locations.

### **5.5 Main Input Circuit Breaker**

Depending on the primary voltage configuration of the power conditioner's isolation transformer, the GPI 2000 will be equipped with one of two types of circuit breakers. If the power conditioner uses a single voltage primary (i.e. 480 volts) the power conditioner will come equipped with a circuit breaker rated at the proper amperage to **accommodate the power conditioner's power rating at the specified input voltage**. If the isolation transformer has a primary voltage configuration capable of accepting multiple input voltages through the use of changeable taps, the power conditioner will be equipped with a programmable circuit breaker. Prior to being shipped, a tag is attached to the main circuit breaker of each power conditioner on the front panel. The tag indicates the transformer primary configuration, breaker type, and input voltage setting. Based on the type of circuit breaker shown on the tag, consult either Sec. 5.5.1 or 5.5.2 for more information

#### **5.5.1 Fixed Input Circuit Breakers**

Before beginning installation, check the tag on the circuit breaker. The power conditioner has been manufactured and shipped according to the input voltage specified at the time the order was placed. If the input voltage information shown on the tag does not match the voltage available at your site and if the tag indicates the transformer in the power conditioner has a single voltage primary, then the input circuit breaker will have a fixed value. Under the circumstances, you will not be able to proceed with the installation. Contact the company who

?

## **Section 5 - Installation**

### **5.5.2 Programmable Circuit Breakers**

Before beginning installation, check the tag on the circuit breaker. The power conditioner has been manufactured and shipped according to the input voltage specified at the time the order was placed. If the input voltage information shown on the tag does not match the voltage available at your site, check the tag to determine the transformer primary configuration and circuit breaker type. If equipped with a programmable circuit breaker and a transformer with a multiple voltage primary, it will be necessary to adjust **the transformer's primary taps**. Transformer primary tap connections are included in the specification sheet found in Section 10 of this manual.

Breaker operating parameters such as input current, inrush characteristics, and time delay may all be programmed to make it easier to adapt the power conditioner in the field to a full range of site installation voltages. In order to reprogram the circuit breaker, it is necessary to gain access to the front of the breaker itself. This is accomplished by removing the side panels as described previously in Sec. 5.3. Once the side panels have been removed, proceed as follows:

1. The front bezel is attached to the frame of the power conditioner with screws on each side of the conditioner frame. Remove the screws on each side of the front bezel, and remove the bezel from the power conditioner. (If equipped with optional power management package or basic metering package, it will also be necessary to unplug the wiring harness connecting the power management computer to the power conditioner before removing the bezel. This is done by disconnecting at the Molex connector).
2. The front control panel is now accessible. It is hinged on the left side. Undo the screw on the right side of the control panel and swing the control panel out to the left exposing the front of the breaker.
3. A hinged cover protects the breaker DIP switches. Raise the cover to gain access to the DIP switches. Change DIP switch settings using the instructions included in the specifications sheet found in Section 10 of this manual. Consult the manufacturer if you have any questions or difficulties.

### **5.6 Isolation Transformer**

***NOTE: Series 2000 power conditioners utilize a low-impedance isolation transformer. When first energized, transformers of this kind typically exhibit a high "inrush" current that may approach 10-15 times the nominal rating. While inrush currents quickly decay to nominal, it is possible to experience "nuisance" tripping of the source circuit breaker. If this occurs consult the manufacturer for options.***

## Section 5 - Installation

Transformers are designed to meet a variety of requirements. Some locations (Europe, for example) have standardized on a single input voltage. In other cases customers may specify multiple input voltages to accommodate the variety of voltages commonly found in the United States. The GPI Series 2000 can accommodate either style of transformer - single voltage or multiple voltage primary.

✓ The GPI Series 2000 is a "delta-wye" system. The input or primary side of the transformer accepts power from either a delta or wye power system at the voltages for which the transformer has been designed. Delta feeds are desirable because they reduce wiring and installation costs by eliminating the neutral conductor from the input wiring arrangement. In addition, feeding the Global Power Interface® with a higher input voltage reduces input amperage and further reduces installation costs by allowing the use of less expensive, smaller gauge electrical conductors and conduits. Consult the tag on the input circuit breaker. If the power conditioner you are installing has a single voltage primary, the site voltage must match the transformer primary voltage. Power conditioners with multiple voltage primaries may be changed to accommodate a variety of site voltages.

The secondary configuration of the transformer is a five wire wye requiring three phase conductors, a neutral, and a safety ground.

### 5.6.1 Transformer Primary Voltage Adjustment



Figure F

Depending on the design of the isolation transformer installed in the GPI Series 2000, the power conditioner may accommodate different input voltages. The voltages are selected by changing primary taps. If necessary, changes may be made to the input voltage setting by changing connections on the transformer primary windings at the locations shown in Figure F to the left. Most voltage changes can be accomplished in 15 minutes or less. Consult the specification sheet found in Section 10 of this manual for detailed information on the specific connections required to accommodate any of the allowable input voltages. In the event that the voltage adjustment information in this manual is missing, input voltage configuration information is also shown on a data plate attached to the top of the GPI Series 2000 transformer as shown in Figure G to the left.

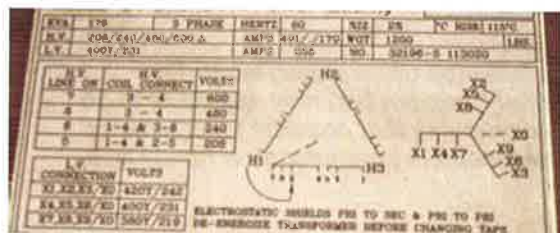


Figure G

## Section 5 - Installation

### 5.6.2 Output Voltage Fine Adjustment

- ✓ The transformer secondary of GPI Series 2000 power conditioners is a 5 wire Wye configuration (three phase conductors, one neutral and one safety ground). Output voltage can be adjusted plus-or-minus five percent ( $\pm 5\%$ ) (as shown in Figure H to the right) to accommodate site-specific voltage differences. This is accomplished by moving the output lugs and connections on the transformer secondary. Consult the information found in Section 10.4 on page 37 of this manual for detailed information on the location of the transformer secondary taps and the settings necessary to make fine adjustments up or down.



Figure H

***IMPORTANT! Output power feeds connect directly to the lugs provided at the transformer secondary. If the GPI Series 2000 power conditioner is equipped with the Power Management Option, it will be necessary (if changing output voltage taps) to also move current transformers to the appropriate transformer secondary tap at the same time the output lug and associated wiring is moved.***

### 5.7 Grounding


**WARNING** *The presence of a code legal safety ground on both the input and the output circuits of the power conditioner is required to prevent fire hazards and to ensure personnel safety. If a safety ground connections cannot be made or are made incorrectly, do not proceed with the installation until this problem is corrected. Failure to observe this warning may result in fire or electrical shock hazard in the event of an electrical fault.*


The GPI Series 2000 product family is considered to be information technology equipment for the purposes of the National Electrical Code as defined in NEC Article 645. Before proceeding, please review any requirements for proper grounding of the GPI Series 2000. This is critical for proper operation as well as personnel safety and fire prevention. Grounding requirements and guidelines can be confusing. Contact the manufacturer if you are unsure about proper grounding methods or techniques.

The National Electrical Code (NEC), in Article 250-20d, describes a "separately derived system" as one in which the output neutral is bonded to safety ground. The key advantage of such an arrangement is the complete elimination of neutral to ground (common mode) voltages and noise at the point of power delivery to a critical load. The GPI Series 2000 meets all the requirements for a separately derived system as defined by U.S. and Canadian electrical codes.

## Section 5 - Installation

Specific locations for connecting the input and output safety ground conductors are discussed in Sections 5.9 and 5.10 that follow. These sections cover the information necessary to connect electrical wiring to both the main and to the load. Please review both sections carefully before beginning the actual electrical installation. A sophisticated electronic system will benefit greatly when all parts of the system and all system peripherals are powered from a single power source. It is recommended that all parts of the system share this common power source and its common, "clean" ground. Non-isolated code minimum input safety grounds are permitted. Dedicated input safety grounding conductors are also permitted. They may be either isolated or non-isolated. If an isolated input safety ground connection is desired, it should be a continuous, insulated, isolated conductor that is routed directly back to the service entrance panel-board. The ground lug connection of the GPI Series 2000 may also be connected to a separate grounding electrode or to building steel, provided that a separate low-impedance grounding path (either copper conductor or conduit) is present and connects to the electrical system ground. Excellent guidelines for grounding practices are also available by consulting the Federal Information Processing Standards Publication (FIPS Pub. 94) published in 1983.

** DANGER** *Connecting input wiring to the main source of power may require working inside switchgear or distribution panelboards containing live voltages. Contact with live voltages will result in injury or death. Working inside live switchgear is classified as a Type 4 Task under SEMI S2-0200 guidelines. Prior to beginning input power connections, be sure to follow any lockout/tagout procedures pertinent to your service equipment. Failure to observe this warning may result in live voltages being present on conductors being connected to the input power connections of the power conditioner.*

** WARNING** *Strict compliance with the following lockout/tagout procedure for the GPI Series 2000 is required to assure personnel safety when making input and output power connections. Working inside the power conditioner with the lockout/tagout engaged may be classified by SEMI S2-0200 guidelines as a Type 4 task if electrical power is not de-energized and locked out at the source. If also locked out at the source, the task is reduced to Type 1.*

### 5.8 Lockout/Tagout Procedure



Figure I



Figure J

The rotary handle of the main breaker must be in the horizontal (OFF) position to proceed. The rotary handle is equipped with a hinged center insert clearly identified with an arrow. See Figure I at left. Depressing the insert on the arrow on the left hand side will cause the insert to extend on the right. This will reveal a slot to accommodate a locking device as shown in Figure J to the right. Place a locking device in the slot and lock it. A warning label

(tagout) should be affixed to notify personnel that input power to the power conditioner has been locked out.

## Section 5 - Installation

### 5.9 Input Power Connections

The three-phase input connection is made at the lugs marked L1, L2, and L3 directly on the main circuit breaker shown in Figure K to the right. The safety ground connection is made at the dual lug marked "PE" on the rear of the panel immediately behind the main circuit breaker shown in Figure L to the right. Locate all connection points prior to committing to the conductor lengths. Input conductor sizes are

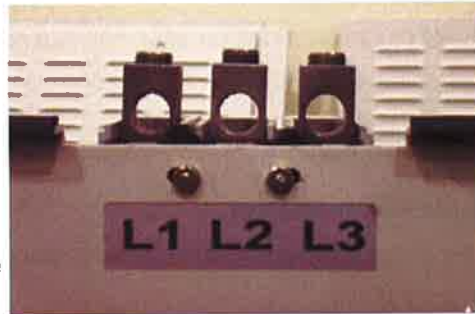


Figure K



Figure L

determined by electrical code. For the convenience of the installer, the manufacturer has provided these, along with other installation information, on the specification sheets included in Section 10 of this manual. Consult the specification sheet for the conductor sizes required for the power conditioner.

### 5.10 Output Power Connections

The load is connected to the lugs provided on the transformer's secondary winding shown in Figure M to the right. Safety ground is connected to the Neutral/Ground bus lug. This device provides a neutral ground bond. The transformer secondary is also equipped with additional taps that allow the installer to make fine adjustments to the output voltage of plus-or-minus five percent ( $\pm 5\%$ ) of nominal output to accommodate site-specific input voltage differences. The GPI Series 2000 is shipped with the output conductor connection lugs attached to the nominal output voltage

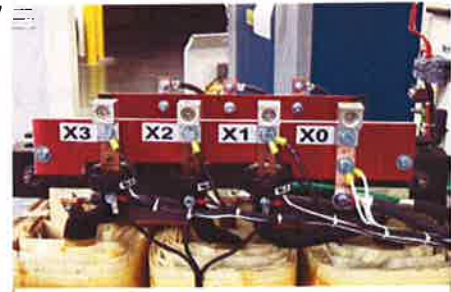


Figure M

connection. If it is necessary to utilize the fine adjustment taps, the output conductors and the connection lugs must be moved to the appropriate tap. For detailed connection diagrams, consult Section 10.4.

***IMPORTANT NOTE! If this power conditioner is equipped with the basic metering or the power management option, be sure to also move the associated current transformers to the appropriate transformer secondary tap at the same time the output lug and output conductors are moved.***

### 5.11 Models With Optional Line Cord/Output Receptacles

GPI Series 2000 models 45 kVA and smaller may be equipped with optional input line cords. GPI Series 2000 models of all sizes may be equipped with optional output receptacles. If equipped with an input power cord, the installation instructions discussed in paragraphs 5.9 will not apply. If equipped with output receptacles, the installation instructions discussed in paragraph 5.10 may not apply. In all cases, it remains critical to observe all grounding practices discussed in paragraph 5.7. If equipped with both line cord and receptacles, installation is a plug and play operation. In any case be sure the site voltage matches the power conditioner configuration.

## **Section 6 - Operation**

### **6.1 Restoring For Service**

✓ When wiring connections have been completed (or after maintenance or repair operations are finished) it will be necessary to perform several tasks before the GPI Series 2000 can be put into service. Take these steps in the following order:

1. Verify that all electrical connections are tight.
2. Verify that the enclosure, transformer and all other internal components are free of metal shavings, debris, and installation/maintenance tools.
3. Replace any front, top, rear, or side panels that have been removed.
4. Disengage the lockout/tagout provision at the source (if engaged).
5. Disengage the lockout/tagout provision on the front panel circuit breaker of the power conditioner.



***A bonding strap is attached to the bottom of each side panel with a hand fastener and lock-washer. The bonding strap electrically grounds the side panel to the frame during normal operation. This bonding strap must be reconnected to the side panel when the side panel is replaced. Failure to reconnect the ground strap may result in an electrical shock hazard in the event of an electrical fault.***

### **6.2 Energizing the GPI Series 2000**

Once the POWERVAR GPI Series 2000 has been installed, it's time to apply power and verify its proper operation. Perform the following steps:

1. If equipped with the harmonic mitigation option, turn on the harmonic filter circuit breaker.
2. Ensure that the EMO pushbutton has been manually reset by turning in the direction of the arrows.
3. **Rotate the front panel circuit breaker's rotary handle one quarter turn clockwise to the "On" or red position.**
4. **Verify that the green "power on" LED is illuminated and the red TVSS Fault LEDs are extinguished (this is the normal state for the front panel LEDs).**
5. If equipped with either the basic metering or the power management option, verify that the Power Measurements device is powered on and operating. If so equipped also verify steps 6 and 7 below. If not equipped with either option, proceed to Section 6.3.
6. Using the keypad on the Power Measurements device, verify that phases A, B, and C are present.
7. Verify that phases A, B, and C each show the correct nominal voltage for the load being powered. Voltages must match the voltage requirements of the load.

***NOTE: The installer may verify the output voltage of the power conditioner using an appropriate voltmeter at either the output receptacles of the power conditioner (if so equipped) or at the input power terminals inside the connected load. This final step is recommended prior to energizing the load.***



## Section 6 - Operation

***(NOTE: Under "no load" conditions, the transformer in the GPI Series 2000 will "step up" the output voltage a few percent. This design characteristic compensates for losses within the transformer once actual load is applied. As a result, an output voltage that is slightly higher than the nominal input voltage is normal under unloaded conditions.)***

***(NOTE: For further information on Power Measurements Limited meters or monitors, consult the separate owner's manual. A separate manual will accompany this document if the power conditioner is equipped with either option.)***

### **6.3 Energizing the Load**

Power is now available to the load. Perform the following steps in the order shown.

1. Energize the load in accordance with any recommended load power-up procedures.
2. Verify the proper operation of the load and the entire system.
3. If equipped with the basic metering or the power management option, you may use the keypad on the Power Measurements monitor, to observe and/or verify the following:
  - a) Load currents for Phase A, B, and C are properly indicated
  - b) All other monitor functions are operating normally. *(A manual is included as Section 10 with this document if the power conditioner is equipped with the power management option.)*

If all connections have been properly made and correct operation of the system has been verified, normal operations may begin. The GPI Series 2000 is now quietly providing full-time protection to your critical system. In the event that the power conditioner is ever dangerously overloaded for any reason, the main circuit breaker will shut off, removing power from the connected load.

### **6.4 Emergency Machine Off (EMO)**

The emergency machine off or EMO circuit is a normally open circuit which is standard on all models of GPI Series 2000 products. The circuit consists of a red front panel mushroom button with a yellow background. **The button carries the text "EMERGENCY STOP". When depressed**, the button latches in a closed position and triggers the shunt trip coil of the input circuit breaker causing the unit to shut down. Once activated, the mushroom button must be manually reset by turning in the direction of the arrows to allow it to spring back to its normal position. Activation of the EMO button closes the circuit and allows 24 VDC to energize the shunt trip. (See Page 35). On Semi S2 compliant versions of this product family, the EMO circuit functions as a normally closed circuit and incorporates additional circuitry. Consult Section 7 and the schematic on page 36 in this manual for detailed information on EMO operation of Semi S2 compliant versions of the GPI Series 2000.

### **6.5 Orderly Shutdown**

✓ To shutdown the GPI Series 2000 in an orderly manner, first turn off all connected loads. Then turn off the power conditioner by rotating the handle of the front panel circuit breaker **one quarter turn counter-clockwise to the "off" position**. Verify that the front panel green power LED is extinguished. No residual energy is stored in the GPI.

## **Section 7 - Options**

### **7.7 SEMI S2-0200 Certification**

For use in semiconductor fabrication applications, the manufacturer offers a version of the GPI Series 2000 that incorporates special modifications of the basic product family that are required for the power conditioner to meet the safety requirements of the Semiconductor Equipment and Materials International (SEMI) safety standard S2-0200. Included in the additional requirements for SEMI S2-0200 certification are provisions for special labeling, an approved EMO (emergency machine off) circuit, input power conductor restraints (for additional safety in seismically active locations), and product documentation that meets or exceeds the criteria specified in SEMI S2-0200. Compliant documentation and labeling are provided with every GPI Series 2000 product. Choosing the SEMI S2-0200 option adds the following additional features:

#### **7.7.1 Input Power Conductor Restraints**

SEMI S2-0200 guidelines recognize that the power conditioner, when used in semiconductor operations, may be installed in geographic areas that experience frequent (sometimes violent) seismic activity. The seismic anchorage option described in paragraph 7.6 is designed to limit horizontal and vertical movement of the power conditioner, and since the product may be installed in seismically active locations for non-semiconductor applications, the anchorage kit is provided as a separate option. For full compliance with SEMI S2-0200, however, SEMI requires that the input power conductors also be provided with a restraint system to prevent their detachment from the input circuit breaker up to the limits of movement provided by the anchorage kits. When ordered with the SEMI S2-0200 certification option, the GPI Series 2000 will be fitted with a steel bracket installed inside the power conditioner enclosure running horizontally from side to side and near the top of the enclosure. Attached to this steel bracket is a plastic bag containing additional hardware for clamping the input power conductors to the steel restraint bracket. Once the input power conductors have been attached to the input circuit breaker, the clamping hardware should be installed.



***Take care not to severely over-tighten the clamping hardware to the extent that the input power conductors are greatly distorted or the conductor insulation is damaged in any way. Doing so may lead to conductor failure or short circuit, which is not covered by the product warranty.***

#### **7.7.2 SEMI S2-0200 Compliant EMO**

The EMO (emergency machine off) circuit provided with the SEMI S2-0200 option is considerably different from the standard EMO design due to the incorporation of additional components designed to increase personnel safety. For a complete details on the design of the SEMI-S2-0200 EMO circuit, please consult the schematics on pages 34 (general system schematic), 35 (standard EMO circuit, and 36 (SEMI S2-0200 EMO) found in this product manual. The standard EMO circuit operates as a normally open (N.O.) circuit that, when


## Section 7 - Options

activated by the closure of an interlock switch or EMO button, provides a DC voltage to the over-voltage shunt trip coil of the input circuit breaker. In the standard EMO design, the DC voltage is derived via a full wave bridge rectifier powered from a 24 volt AC tap on the main transformer secondary winding.

For SEMI S2-0200 approval, the EMO functions differently from the standard EMO. The SEMI S2-0200 EMO operates as a normally closed (N.C.) circuit which provides a continuous DC voltage to an under-voltage shunt trip coil in the input circuit breaker. Activating the EMO pushbutton or a panel interlock opens the safety circuit and removes DC voltage activating the shunt trip. The DC voltage is derived from a separate 24 volt AC step-down transformer powered from the output side of the input circuit breaker. When first starting the GPI Series 2000, no power is available at the circuit breaker output since it's under-voltage shunt trip will ensure that it remains in the tripped position. When first starting the power conditioner, it is necessary to provide power to the EMO circuit. This is accomplished via a "push to start" pushbutton located on the front panel. The button is identified by a label with the legend "**DEPRESS BUTTON WHILE ENERGIZING MAIN BREAKER**". The "push to start" button energizes the EMO circuit power transformer from the input side of the input circuit breaker, which provides the initial DC voltage to energize the under-voltage shunt trip of the input circuit breaker. For starting GPI Series 2000 power conditioners equipped with SEMI S2-0200 option, follow these simple steps:

1. Make sure that the input circuit breaker is **rotated fully to it's farthest left position.**
2. Make sure that the EMO pushbutton is in its operating position (turn in direction of arrow to disengage)
3. **Press and hold the "push to start" button while rotating the input circuit breaker to the right**
4. **Verify that the "power on" LED on the front panel is illuminated**
5. **Release the "push to start" button**

The power conditioner will now be operating normally and any connected loads may be energized. Please consult the schematics on pages 34, 35, and 36 of this manual for more information.

 **WARNING** *If a power conditioner equipped with the SEMI S2-0200 option is de-energized for any reason (including a shunt trip due to EMO or interlock activation), mains power will still be present at the input side of the input circuit breaker, and at the terminals of the "push to start" switch. Working inside the power conditioner under these conditions may be classified by SEMI S2-0200 guidelines as a Type 4 task. The task may be reduced to Type 1 if mains power is de-energized and locked out at the facility source. The manufacturer recommends locking and tagging out the facility source whenever it is necessary to enter the power conditioner enclosure.*

## **Section 8 - Troubleshooting/Maintenance**

### **8.1 Conditions Requiring Troubleshooting**

Four conditions may occur, which require operators or service personnel to troubleshoot the function of the GPI Series 2000. Each may be individually evaluated. These four occurrences include:

1. Source circuit breaker (at switchgear or distribution panelboard) trips out
2. Front panel circuit breaker trips out
3. TVSS Fault LED (one or more) illuminate
4. Harmonic filter circuit breaker trips out (if equipped with harmonic filter option)

#### **8.1.1 Source Circuit Breaker Trip**

The GPI Series 2000 utilizes a low-impedance isolation transformer. When first energized, transformers of this kind typically exhibit a high "inrush" current that may approach 10-15 times the nominal rating. While inrush currents quickly decay to nominal, it is possible to occasionally experience "nuisance" tripping of the source circuit breaker. If this occurs, consult the manufacturer for direct assistance in troubleshooting this condition.

#### **8.1.2 Input Circuit Breaker Trips**

In the event the front panel breaker on the GPI Series 2000 trips out, one of five conditions is likely at fault. You may effectively troubleshoot this condition by checking each of the following five areas. They are listed in order of probability.

**8.1.2.1 Electrical Load Has Exceeded Capacity** - If the amount of electrical load has exceeded the capacity of the power conditioner, the front panel circuit breaker is designed to trip. Load may exceed capacity as a result of a short circuit in the load or too much load having been added to the power conditioner. In either event, turn off all load power switches and recycle power to the GPI Series 2000 by turning the circuit breaker handle to the extreme counter-clockwise position and then **rotating back to the clockwise "On" position**. If this restores the power conditioner to normal operation (with no loads powered up) it will be necessary to either remove load from the conditioner or troubleshoot the load to determine if a short circuit condition exists.

**8.1.2.2 Phase Loss or Low Voltage Occurrence** - This condition will cause the front panel circuit breaker to trip only if the GPI Series 2000 is equipped with the power management option. To troubleshoot this condition, rotate the circuit breaker handle to the extreme counter-clockwise position and then rotate clockwise to **the "On" position**. If the phase loss/low voltage condition was temporary the power conditioner will once again be operating and the 7500 ION monitor can be used to retrieve the phase loss or low voltage data from the log files. If after resetting the circuit breaker it immediately trips out once again, this is an indication that the phase loss or low voltage condition is still present. If a phase loss or low voltage is found not to exist consult the following sections for information on further troubleshooting on additional failure conditions.

## Section 8 - Troubleshooting/Maintenance



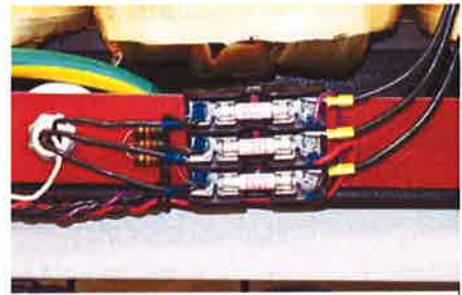
**Prior to performing maintenance of any kind, lockout and tagout the electrical power at both the facility source and the input circuit breaker. Under these conditions, entering the equipment enclosure will be classified as a Type 1 task under SEMI S2-0200 guidelines. Power must be locked out and tagged out at both locations prior to entering the enclosure for maintenance purposes.**

**8.1.2.3 EMO Has Been Activated** - The front panel EMO pushbutton latches in a closed position once it has been depressed. Ensure that the EMO button has not been depressed by turning the button in the direction of the arrows and allowing it to spring back to its normal operating position. If the power conditioner is equipped with the external EMO option, further ensure that remote EMO buttons or connected external EMO circuits have not been activated. Once all EMO buttons and circuits have been verified, rotate the circuit breaker handle to the extreme counter-clockwise position and then rotate clockwise to the **“On” position**. **If the circuit breaker once again trips immediately, contact the manufacturer for further instructions.**

**8.1.2.4 Safety Interlocks Activated** - Check both side panels of the power conditioner for proper installation and secure fit. Both panels must be firmly in place and securely fastened with the quarter turn fasteners provided. A loose or improperly attached panel will allow the safety interlocks to activate and shunt trip the front panel circuit breaker. Once the panels have been checked, rotate the circuit breaker handle to the extreme **counter-clockwise position and then rotate clockwise to the “On” position**. If the circuit breaker once again trips immediately, contact the manufacturer for further instructions.

### **8.1.3 TVSS Fault LEDs Illuminate**

If one or more TVSS Fault LEDs illuminate, it is an indication that the TVSS components may be damaged. These components are protected **by fuses. The TVSS module and its associated fuses are located inside the power conditioner enclosure, on the right side below the isolation transformer as illustrated in Figure P to the right.** The TVSS module itself is attached to the rear of the mounting panel. Three resistors are associated with **the fuses. The resistors function as “pull up” resistors to light the front panel LEDs should one or more of the fuses open.** The TVSS module, fuses, and resistors are accessed by removing one or both side panels as described in Section 5.3.



**Figure P**

The fuses may be checked for continuity using an ordinary multi-meter. Open fuses may be replaced on site using an **Amptap ATQ20, Time Delay, 10 kA IR, 500 VAC, 20A fuse** or equivalent. Once the fuses have been replaced, replace the side panels as described in Section 6.1 taking care to reattach the grounding straps. Once **completed, rotate the circuit breaker to the clockwise “On” position.** If one or more of the TVSS Fault LEDs re-illuminate, the fuses have opened once again. This indicates that the TVSS element is damaged and requires replacement. Contact the manufacturer to order a replacement part.

## **Section 8 - Troubleshooting/Maintenance**

### **8.1.4 Harmonic Filter Circuit Breaker Trips Out**



**Figure Q**

If equipped with a harmonic filter option, the GPI Series 2000 will incorporate a passive harmonic filter. One characteristic of such filters is that they tend to “sink” harmonics regardless of whether the source is the load or the facility. In some circumstances, it is possible that the load and the facility together may require more reactive current than the filter is rated to provide. For that reason, models equipped with the harmonic filter option include a circuit breaker to protect the filter from delivering reactive current in excess of its capabilities. The circuit breaker is located on the front panel as illustrated in Figure Q to

the left. The circuit breaker will trip if its reactive current capabilities are exceeded. The circuit breaker may be reset at any time without interrupting the operation of the power conditioner. However, unless the source of excessive harmonics is located and eliminated, the circuit breaker is likely to once again trip as soon as it has been reset. If tripping of the harmonic circuit breaker is frequent and persistent, this is an indication of high harmonic content within the facility electrical system which could be investigated and corrected.

### **8.2 Routine Maintenance**

Little routine maintenance is required for the GPI Series 2000 to function reliably for many years. Depending on the application for which the power conditioner is being used, however, occasional routine cleaning may be recommended. Some applications and installation environments generate significant dust residue. This may be especially true in printing facilities. Because the GPI Series 2000 is convection cooled, it is important to prevent dust buildup from blocking the ventilation slots. Dust buildup should also be removed from inside the power conditioner enclosure. Dust may be easily removed with any ordinary shop vacuum. Remove dust as often as required to keep ventilation slots clear and excessive dust from accumulating inside the enclosure.

To perform maintenance inside the enclosure, it will be necessary to de-energize the power conditioner as described in Section 6.5 and remove the side panels as described in Section 5.3. Make sure to observe Section 6.1 carefully when completed before returning the power conditioner to service.

## Section 9 - Service and Support

### 9.1 Technical and Service Assistance

In North and South America, the manufacturer offers toll-free technical and customer service assistance by calling **800-369-7179 (in Illinois, call 847-596-7000)**. Business hours are Monday through Friday, 8:00 a.m. to 5:00 p.m. Central Time. In EMEA, contact the manufacturer's **international headquarters in the United Kingdom** at +44 (0) 1793 553980. UK business hours are 8:00 to 17:00 GMT. In the event of an emergency outside of **normal business hours, the manufacturer's phone systems provide an emergency after hours phone number**. Technical and service inquiries may also be communicated to us via our website at [www.powervar.com](http://www.powervar.com) by clicking on **Service** and clicking on the link for Technical Support. You may also register your ownership of the product on the website by clicking on either the Service or Reference tabs.

### 9.2 Customer Service

Should it ever be necessary to obtain service on your Global Power Interface, please obtain the following information from the data plate attached to the rear of the unit. To process service requests, we will require:

- Model number
- Part number
- Serial number

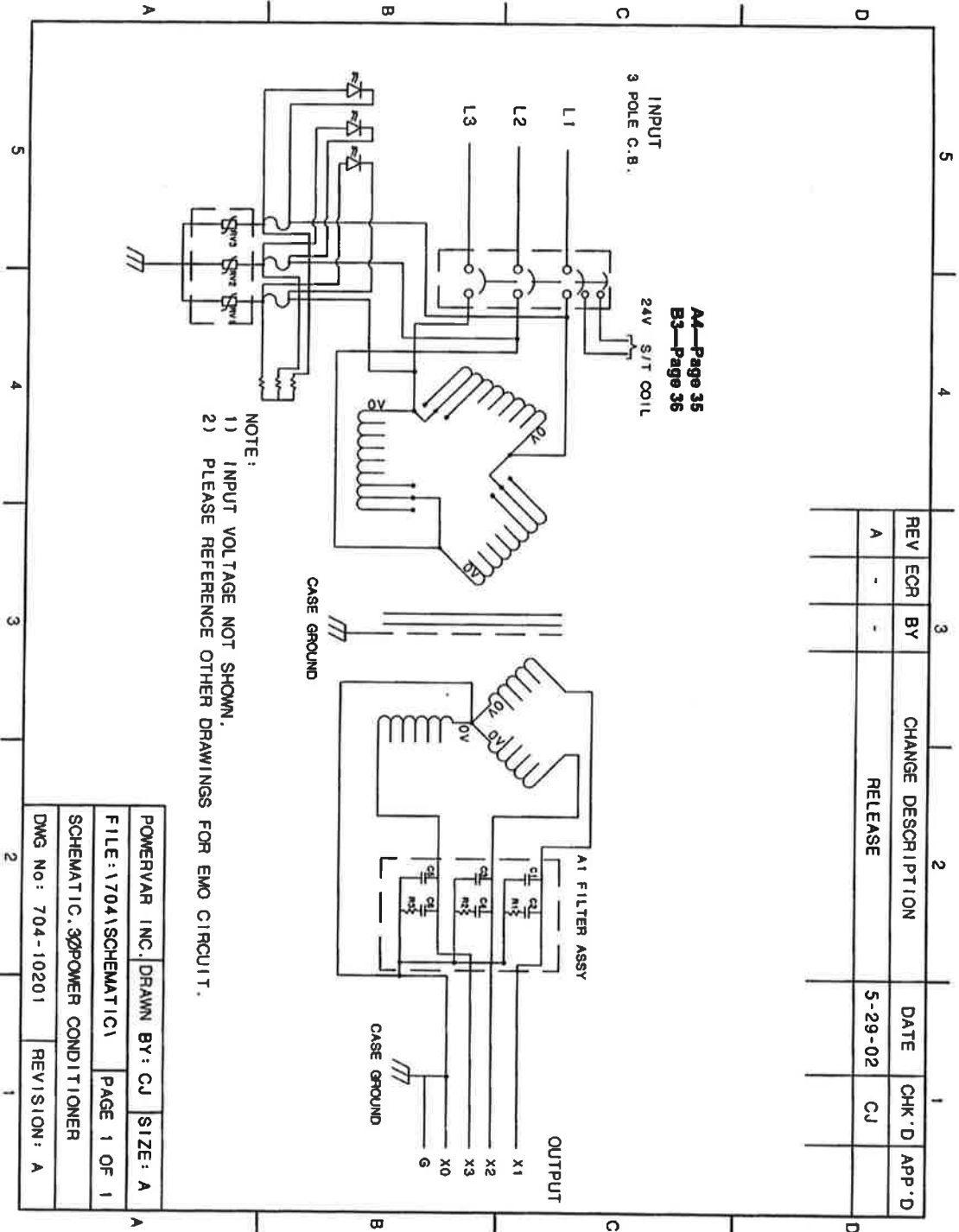
With this information in hand, contact the manufacturer at the numbers given above to arrange for service. In most cases, the power conditioner will require service on site. Units may only be returned to the manufacturer after obtaining a Return Material Authorization (RMA) number. This number must be clearly marked on the shipping container and packing slip accompanying any returned product. Unauthorized return shipments will be refused. Units to be returned must be shipped prepaid to the manufacturer in an appropriate shipping container. Additional charges will be billed for repair costs due to shipping damage resulting from inadequate packing.

### 9.3 Product Warranty

The manufacturer warrants its Global Power Interface (known **hereafter as the "product"**) **to be free from defects** in material and workmanship for a period of five years from the date of shipment. The product will be repaired or **(at manufacturer's option) replaced at no charge during this warranty period**. **The manufacturer makes no warranties, expressed or implied, of merchantability, fitness for a particular purpose, performance, condition, capacity or otherwise.** The manufacturer is not liable for incidental or consequential damages, monetary loss, loss of sales, or loss of business resulting from failure or malfunction of the product. Warranty is void on any product that is misused, misapplied, abused, altered or repaired by any unauthorized personnel or where evidence of tampering exists. The foregoing constitutes the sole and exclusive remedy of the purchaser and is in lieu of all other warranties. No greater degree of liability is imposed on the manufacturer.

# Section 10 - Specifications

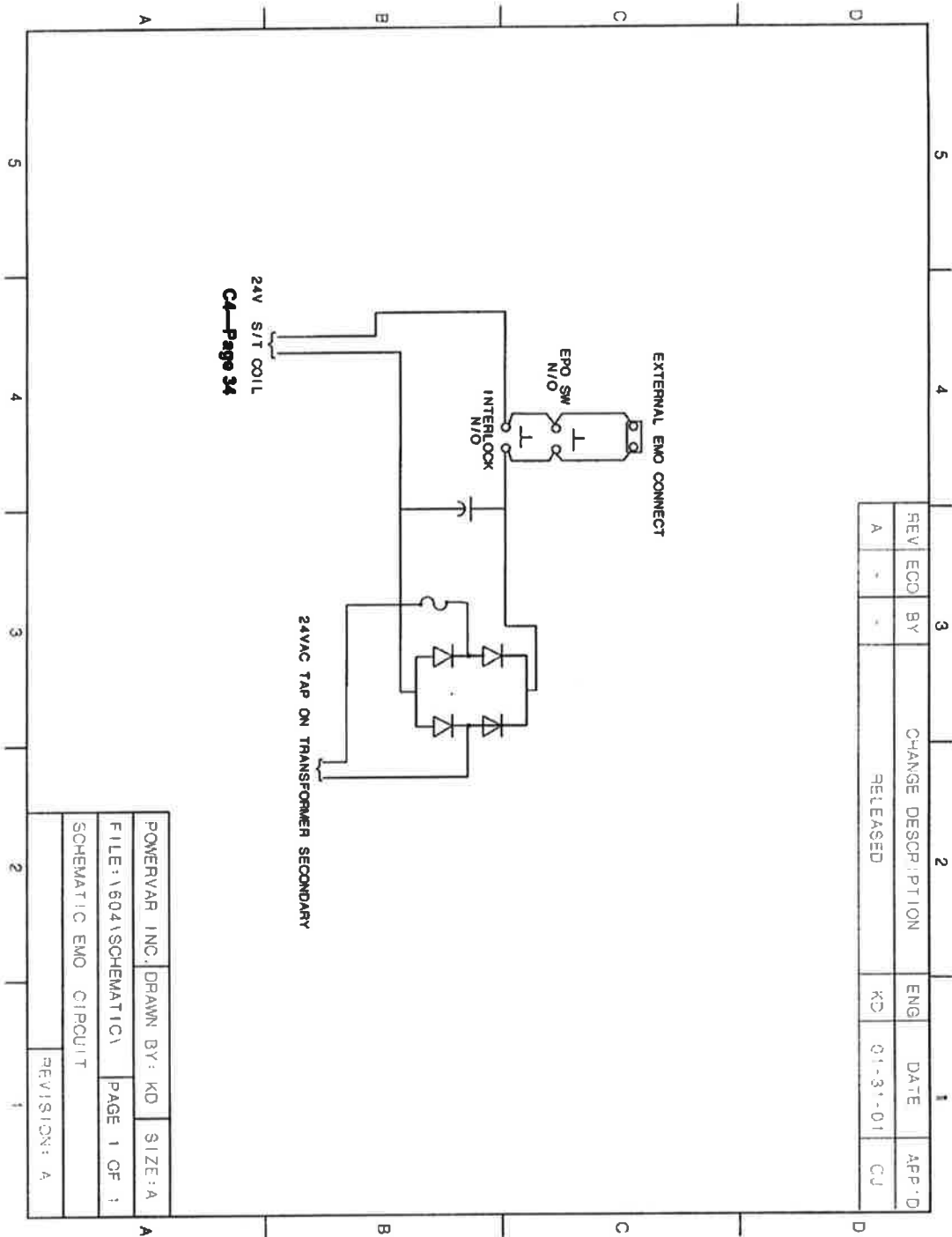
## 10.1 GPI Series 2000 Schematic





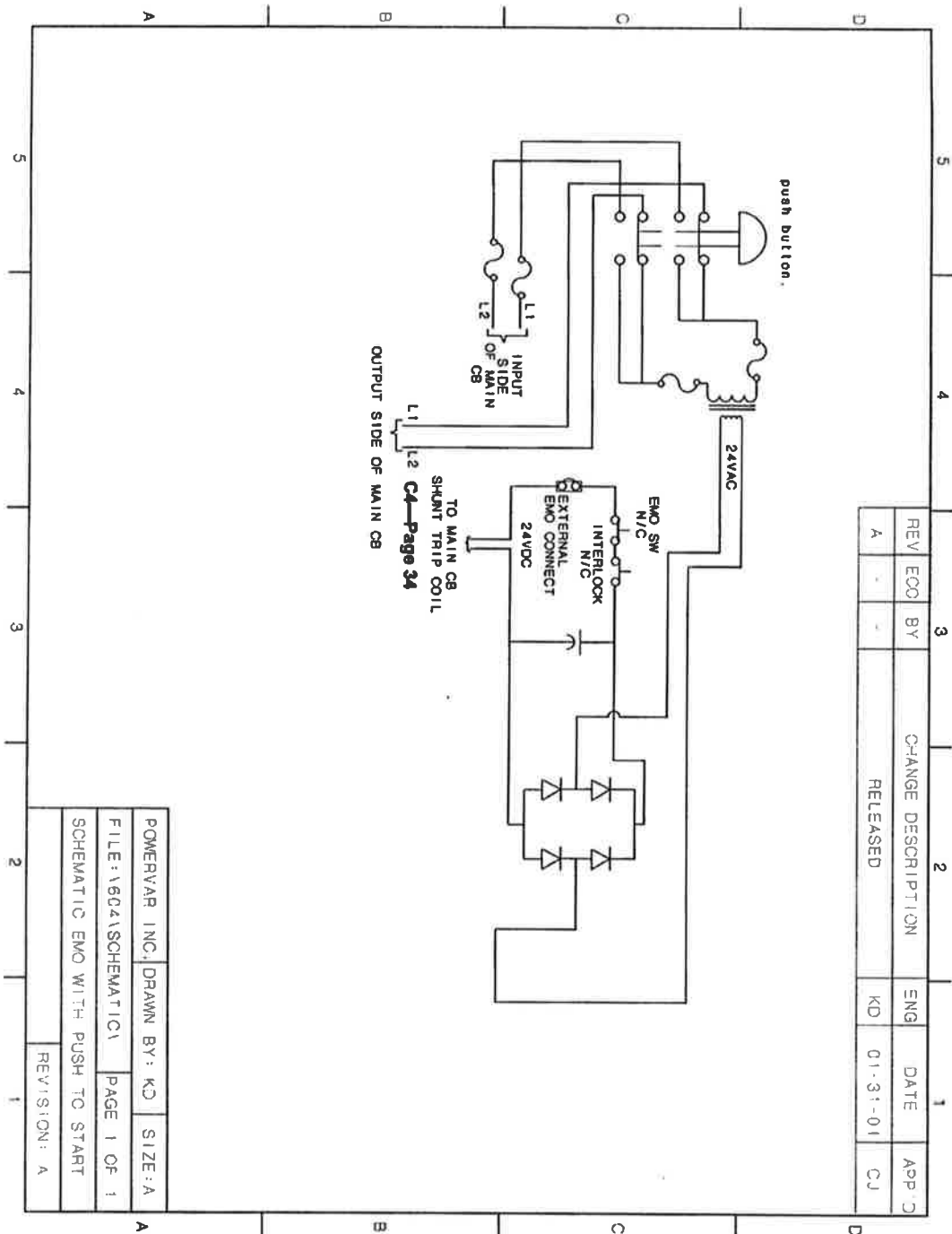
# Section 10 - Specifications

## 10.2 GPI Series 2000 Standard EMO



# Section 10 - Specifications

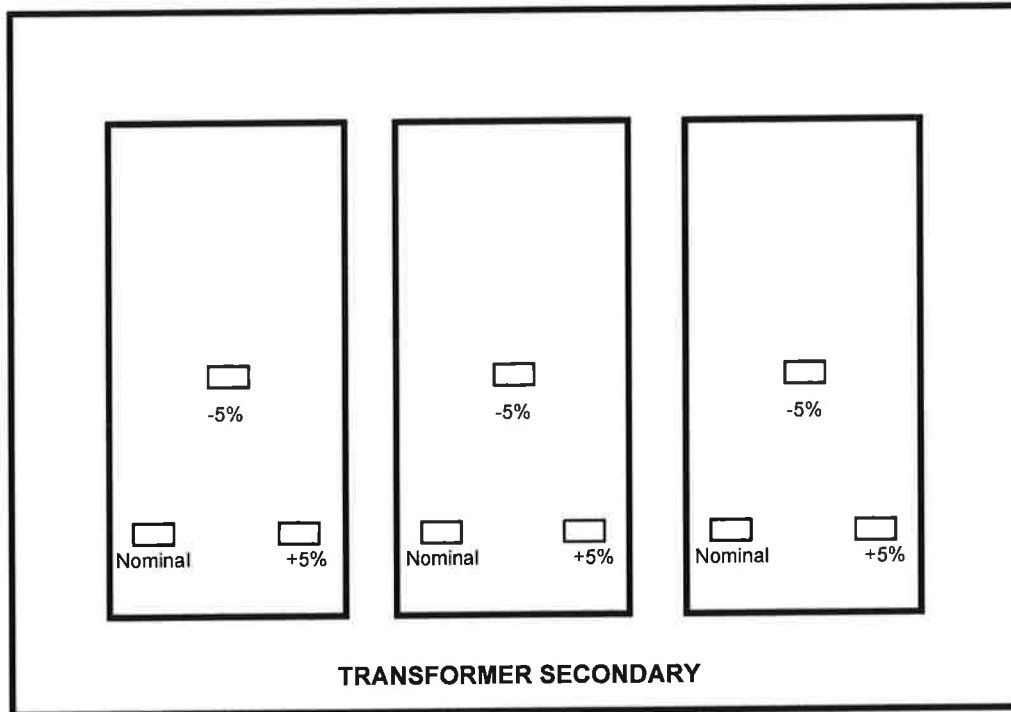
## 10.3 GPI Series 2000 Semi S2 EMO



## Section 10 - Specifications

### 10.4 Output Voltage Fine Adjustment

**IMPORTANT: ALL WORK TO BE DONE  
BY A LICENSED ELECTRICIAN**



The output voltage of the transformer may be adjusted  $\pm 5\%$  from nominal using the taps shown above. First disconnect the power and all load equipment. After removing the side panels, move the wire from the "nominal" transformer tap to the desired adjustment tap to adjust output voltage up or down. Replace side panels. Then energize the transformer and check for proper desired voltage at output before reconnecting and energizing the load.

**IMPORTANT NOTE: BE SURE TO ADJUST THE TAPS ON ALL THREE PHASES.**

## Document Revision History

<u>Part #</u>	<u>Title</u>	<u>Rev. Letter</u>	<u>Rel. Date</u>	<u>Next Rev. Level</u>
SM2000	Global Power Interface Series 2000	Rev. A	07/01/2002	Rev. B
		Rev. B	09/08/2002	Rev. C
		Rev. C	02/12/03	Rev. D
		Rev. D	03/13/03	Rev. E
		Rev. E	11/15/2004	Rev. F

Check

**General Specifications - Model ABC10.0-XD40Y**

<b>Input Voltage</b>	208/240/480/600 delta connection (4 wire)
<b>Output Voltage</b>	400 wye (5 wire)
<b>Frequency</b>	60 Hz. only
<b>Continuous Capacity</b>	10 kVA
<b>BTU/Hr. Output</b>	1024
<b>Efficiency</b>	≥ 97% (at full load, unity power factor)
<b>Step Load Change</b>	± 0.8% (at unity power factor)
<b>Noise Rejection</b>	With unit under power and the isolation transformer configured for a transformation ratio of 1:1 and with an ANSI/IEEE C62.41, Category A pulse applied either normal mode or common mode at the input, the noise output voltage will be less than 10 volts normal mode and less than .5 volts (½ of one volt) common mode in all four quadrants (CM-NM, NM-NM, CM-CM, NM-CM).
<b>Surge Voltage Withstand</b>	Tested under power to ANSI/IEEE C62.41, Category A & B (formerly IEEE587-1980). Power conditioner tested to withstand up to 6000 volts @ 3000 amp ringwave and unipolar impulse.
<b>Construction Materials</b>	Transformer wires are copper and insulated with Class H materials. Windings are insulated with Nomex paper insulation before vacuum varnishing. Internal wiring is a minimum of 200 degree C rated and sleeved with Class H materials. Grain oriented silicon iron cores are constructed using 14 mil. laminations interleaved one to one. Eddy currents are minimized and external magnetic fields are below 0.1 oersted (at 12 inches distance in any direction).
<b>Physical Dimensions H x W x D - inches (mm.)</b>	26 x 18 x 30 (660 x 457 x 762)
<b>Weight in lbs. (kg.)</b>	520 (236)

**Input Connection Requirements\***

Input Voltage	Input Current (FLA)	Supply Breaker Rating @ Switchgear	AIC (Current Interrupt Capacity of Input Circuit Breaker)	Minimum Input Conductor Size (includes ground)	Input Lug Maximum Wire Size
208	29	35A	25 kAmps	10 AWG	2 AWG
240	25	30A	25 kAmps	10 AWG	2 AWG
480	13	15A	25 kAmps	12 AWG	2 AWG
600	10	15A	25 kAmps	12 AWG	2 AWG

\* Supply breaker ratings are determined by NEC guidelines limiting breaker loading to 80% of rated breaker capacity. Calculations for supply breaker recommended ratings are based on input full load amps multiplied by 1.25 and then selecting the next larger standard size breaker. Wire sizes shown in the input and output connection tables of this specification sheet are the minimum sizes allowed by electrical codes for each supply breaker rating and are taken from the 2002 National Electrical Code Article 310.16 table references for use in 90° C installations.



1450 Lakeside Drive, Waukegan, IL 60085  
(847) 596 - 7000 - (Outside Illinois 800 - 369-7179), Fax (847) 596 - 7100  
www.powervar.com

### Output Connection Requirements\*

Output Voltage	Output Current (FLA)	Minimum Output Conductor Size (includes ground)	Output Lug Maximum Wire Size
400	14	12 AWG	2/0

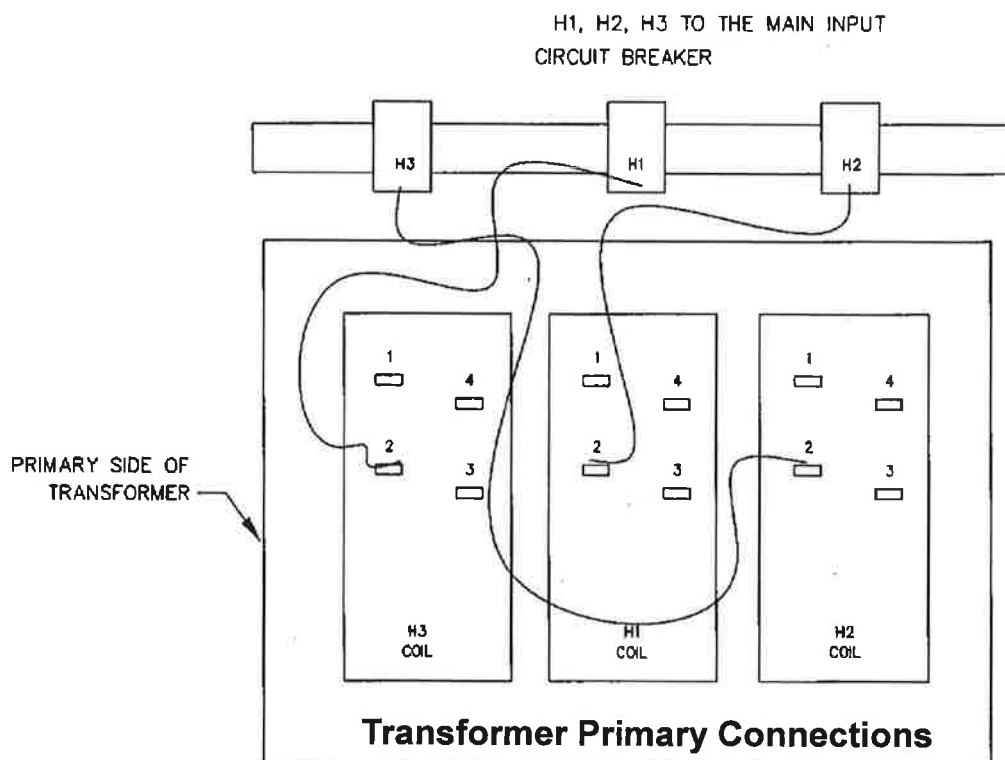
### Output Connections

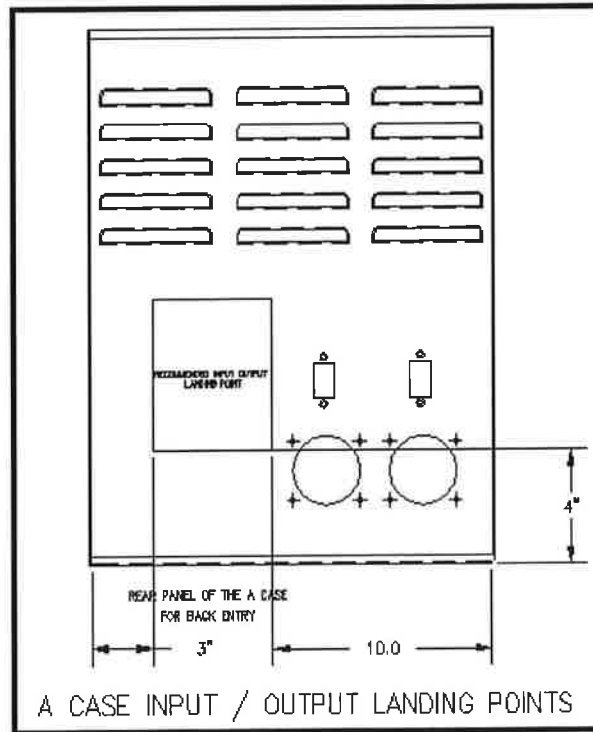
Output connections to this power conditioner are made via two IEC309, four pin, five wire receptacles (32 amp and 16amp) on the rear panel. The 16 amp receptacle is breaker protected with a 15 amp breaker and the 32 amp receptacle is breaker protected with a 30 amp breaker.

### Input Voltage Changes

This power conditioner is equipped with a fixed input circuit breaker and configured for an input voltage of 208 volts. If changes are required to the input voltage setting of the power conditioner, it will be necessary to replace the fixed breaker and set input voltage taps appropriately per the following diagram. Please contact POWERVAR Technical Support to order a replacement breaker and for assistance in making any required changes.

VAC	Connect each phase
208	H1 to H3-4, H2 to H1-4 and H3 to H2-4
240	H1 to H3-3, H2 to H1-3 and H3 to H2-3
480	H1 to H3-2, H2 to H1-2 and H3 to H2-2
600	H1 to H3-1, H2 to H1-1 and H3 to H2-1





1.5" Sq x 1.87" Thick Tube is welded to bottom panel of cabinet frame

5/16-18 x 2.5" Grade 5 Bolts

3/8-18 Grade 5 Bolt

18.40

14.00

28.02

23.22

12.78

8.16

10.64

**Seismic Anchorage Data**

Max total weight in lbs. (kg.) = 450 (204.5)

Max. weight per foot in lbs. (kg.) = 466 (211.8)







POWERVAR, Inc.  
1450 Lakeside Drive  
Waukegan, IL 60085  
Toll Free (Outside Illinois only): (800) 369-7179  
Phone: (847) 596-7000 - Fax: (847) 596-7100

POWERVAR, Ltd.  
Unit 5 Birch, Kembrey Park  
Swindon, Wiltshire, UK SN2 8UU  
Phone: 44 (+0) 1793 553980  
Fax: 44 (+0) 1793 535350

<http://www.powervar.com>

