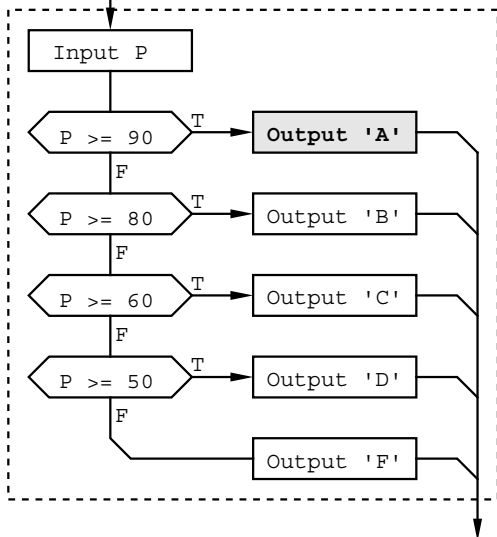
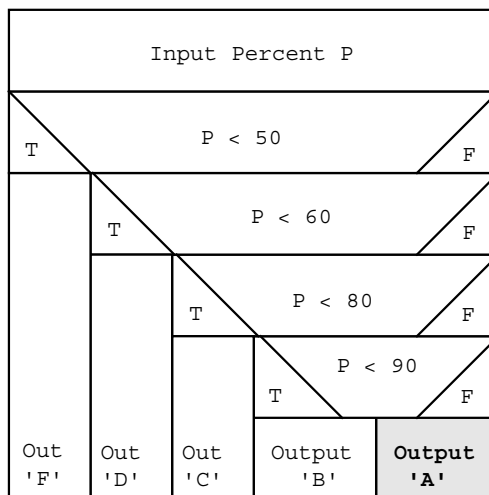


# GRADES: Nesting of Choices

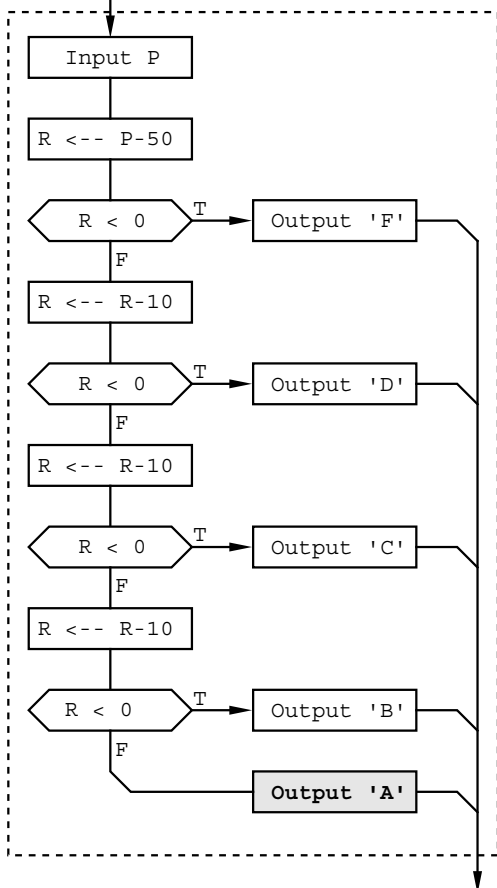
**1 Better First**



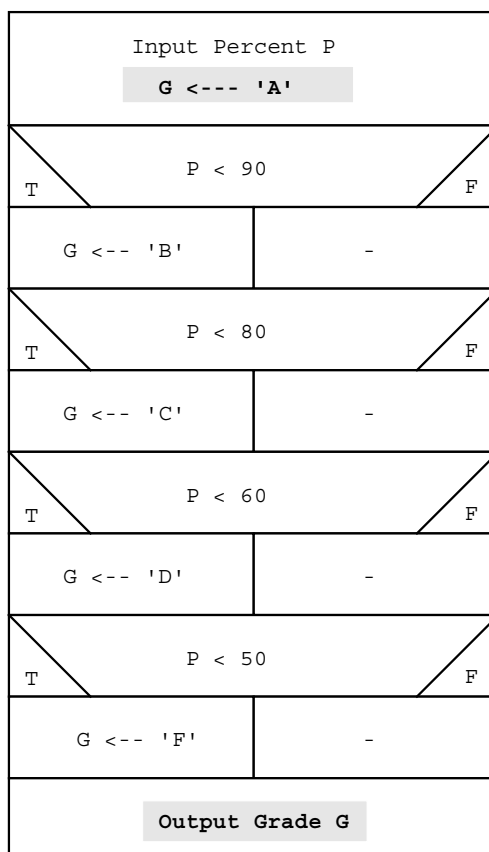
**2 Better Last**



**3 Identical Conditions**



**4 Series of Choices**



One of these four has an error; find it.